

Modified Article	Date of Application	Date of Publication

Any *HEADING* is for reference only and has no regulatory effect.

A capitalised and italicised word in this document is defined in the FIA International Sporting Code (Code), the National Competition Rules (NCR), including their Appendices or this document.

## Schedule C

Each *Automobile* in a *Circuit Race* (except a Superkart) must, of necessity, in addition to the provisions of Schedules A and B, be fitted:

- (a) only with laminated glass in any glass windscreen. Windows, including windscreens, must not be coloured or tinted unless fitted as standard to a production *Automobile* and compliant with AS2080;
- (b) with wheels and tyres in compliance with *Schedule E*. It is not permitted to use a tyre that has been retreaded, recapped, repaired or re-conditioned in any way;
- (c) with bodywork which generally encloses (when viewed from above and each side) the chassis frame and basic mechanical elements, from the front of the *Automobile* rearwards at least as far as a transverse vertical plane immediately to the rear of the driver's seat;
- (d) with not fewer than 2 functional rear vision mirrors each of at least 50cm<sup>2</sup>;
- (e) with a fuel tank as specified in *Schedule N*;
- (f) only with such replacement seat which in a closed *Automobile* first registered with *Motorsport Australia* after 1 January 1980, and in which the relevant regulations permit the replacement of the driver's seat and which:
  - (i) incorporates a rear head restraint; and
  - (ii) does not incorporate adjustment of the rake of the squab.

**NOTE:** The use of a seat to the FIA 8862-2009 Advanced Racing Seat standard is recommended. Where a seat to this standard is required, the seat must be used with the seat mount bearing the same FIA homologation number unless an alternative seat mount has been homologated by *Motorsport Australia*, in which case that seat mount may be used

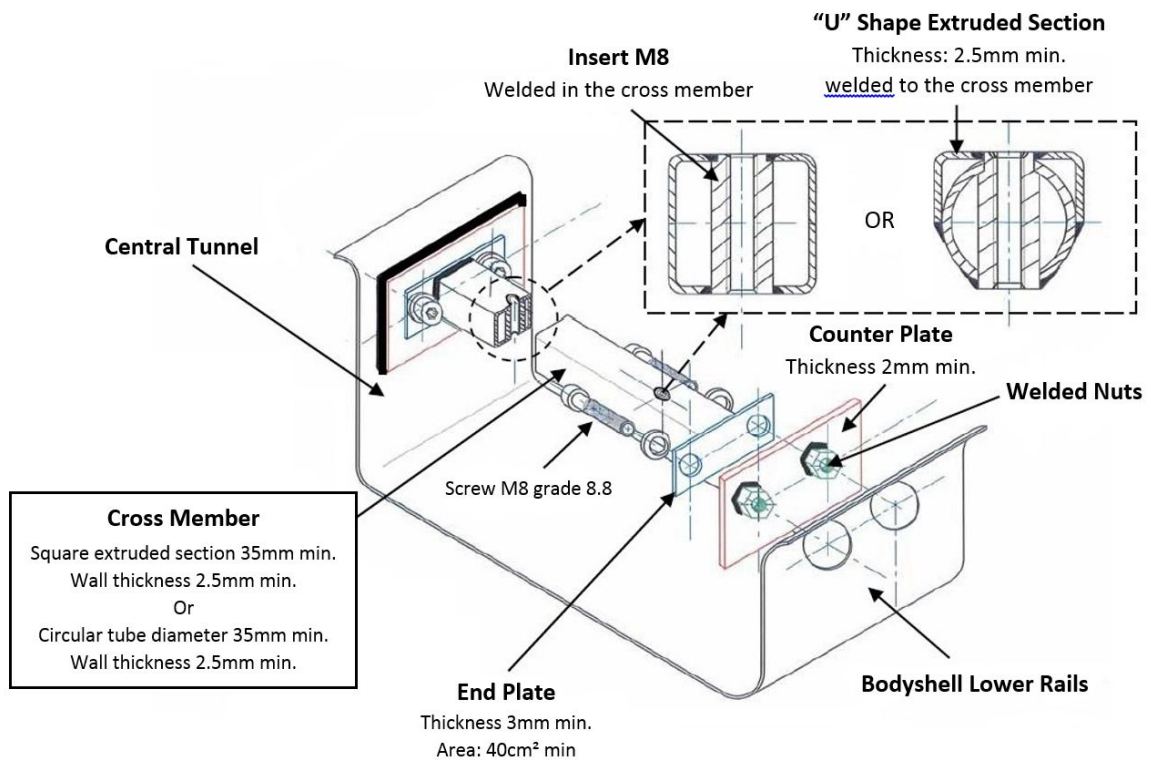
- (g) with a seat mount/support fixed as per the following:
  - (i) Where an *Automobile* is in compliance with the Australian Design Rules (ADR) for seat mountings, on the anchorage points for fixing seats used on the original *Automobile*; or
  - (ii) On anchorage points for fixing seats in conformity with Drawing C-1; or
  - (iii) Where a seat is affixed to an un-reinforced section of the floor pan, each attachment point must be reinforced by the use of a plate of not less than 40cm<sup>2</sup>. The minimum thickness of each support and counterplate must be 3mm for steel and 5 mm for light alloy material. A seat mount/support must be attached to the shell/chassis using at least 4 mounting points per seat using 8.8 grade bolts with a minimum diameter of 8mm with counterplates, in compliance with Drawing C-2. An anchorage point for fixing a seat may be in compliance with Drawing C-1. A cross member may be welded in place instead of fixing by bolts providing the connection is fully welded around the circumference.
- (h) with a window net as required by *Schedule I*.

Each *Automobile* in a *Circuit Race* (except a Superkart) must, of necessity, also be required to comply with the following:

- (i) On each *Automobile*, other than those of the 5<sup>th</sup> Category, fitted with an electric fuel pump, the pump power supply must cut off in a maximum of six seconds after the engine stops;
- (j) Each *Automobile* of the 2nd and 3rd Category must be equipped with a battery isolation (master) switch which isolates the battery and stops the engine, and:
  - (i) it must be capable of being operated by the driver in his normal seated position;

- (ii) there must be a second switch, or a remote means of operating the main switch, from the vicinity of the base of the A pillar on the driver's side or, for an *Automobile* with no A pillar, in a comparable position; and
- (iii) each external device must be clearly marked by a symbol showing a red spark in a white-edged blue triangle of minimum edge length 150mm;
- (k) For a non-road-registered series production *Automobile* any cable-operated bonnet or engine cover release mechanism must be disabled and replaced with at least two fastening systems in accordance with *Schedule B*;
- (l) Each *Automobile* be fitted with a rearward facing red warning lamp (rain light) which must be clearly visible from the rear and mounted not more than 100mm from the centreline of the *Automobile*. Each lamp must:
  - (i) be of at least 15 watts or an LED lamp with *FIA* and/or *Motorsport Australia* approval may be used and may strobe;
  - (ii) have a minimum surface area of 20cm<sup>2</sup> and a maximum surface area of 140cm<sup>2</sup>; and
  - (iii) be able to be switched on by the driver when normally seated in the *Automobile*.

**DRAWING C-1**



**DRAWING C-2**

