

Group 3E RECOGNITION DOCUMENT

A) Vehicle seen from 3/4 front



B) Vehicle seen from 3/4 rear



1. GENERAL

101. Manufacturer

FUJI HEAVY INDUSTRIES

102. Commercial name(s) - Model and type

SUBARU IMPREZA WRX STI G3 MY08

103. Engine capacity

2457 cm³ Corrected engine capacity **2457 x 1.7 = 4177** cm³

104. Type of car construction

a) Type

separate chassis

monocoque

b) Material of chassis / bodyshell

STEEL

106. Number of seats

5

2. DIMENSIONS, WEIGHT

Minimum Racing Weight

1462 kg

202. Overall length

4415 mm ± 1 %

203. Maximum overall width

1790 mm ± 1 % Where measured **FRONT AXLE**

204. Width of bodywork

a) At front axle

1790 mm ± 1 %

b) At rear axle

1790 mm ± 1 %

206. Wheelbase **2625** mm ± 1%

207. Maximum track

a) Front **1530** mm

b) Rear **1540** mm

3. ENGINE (In case of rotary engine, see Art. 335 on additional form)

301. Location and position of the engine **FRONT**

302. Number of mounts **2**

Engine in its compartment

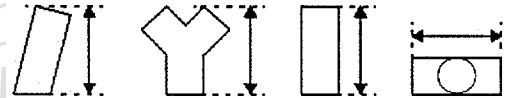


304. Supercharging yes no

Maximum manifold pressure **1.31 BAR**

Type and number of compressors **SINGLE TURBOCHARGER**

305. Number and layout of cylinders **4 - HORIZONTALLY OPPOSED**



312. Cylinder block material **ALLOY**

310. Maximum compression ratio **8.2 : 1**

313. Sleeves a) yes no b) Material **STEEL** c) wet dry

314. Bore **99.5** +0/- 0.1 mm

316. Stroke **79** +0/- 0.1 mm

321. Cylinderhead a) Number **2** b) Material **ALLOY**

324. Fuel feed by injection : a) Make **NIPPON DENSO** b) Model **MPI**

f) Position of Injectors:

f1) Manifold Cylinderhead

325. Camshaft a) Number **4** b) Location **CYLINDER HEAD**
c) Drive system **BELT** f) Type of valve operation **DIRECT**

327. Intake

a) Material of manifold **ALLOY** c) Number of valves per cylinder **2**
b) Number of manifold elements **3**

328. Exhaust

- a) Material of manifold **CAST IRON**
- b) Number of manifold elements **4** d) Number of valves per cylinder **2**
- p) External Diameter of exhaust pipe between manifold and first silencer **N/A** mm ± 5%

330. Ignition system

- a) Type **COIL** b) Number of plugs per cylinder **1**
- c) Number of distributors **N/A** d) Number of coils **4**

331. Cooling systemCapacity **7.7 L****332. Cooling fan**

- a) Number **2** b) Diameter of the fan **2 X 320** mm
- c) Material of the fan **PLASTIC** d) Number of blades **9/11**
- e) Type of drive **ELECTRIC** f) Automatic cut in

<input checked="" type="checkbox"/>	yes	<input type="checkbox"/>	no
-------------------------------------	-----	--------------------------	----

333. Lubrication system

- a) Type **WET** b) Number of oil pumps **1**
- c) Total capacity **4.2 L**
- e) Location of the cooler(s) **ABOVE FILTER** f) Type of the cooler(s) **WATER COOLED**

4. FUEL CIRCUIT**401. Fuel tank**

- b) Location **REAR**
- d) Total capacity **60 L**

402. Fuel pump(s)

- a)

<input checked="" type="checkbox"/>	Electrical	<input type="checkbox"/>	Mechanical
-------------------------------------	------------	--------------------------	------------

 b) Number **1**
- d) Location **IN TANK** Fuel Pressure _____

5. ELECTRICAL EQUIPMENT**502. Alternator**

- a) Number **1** b) Type **ROTATING FIELD**
- c) Drive system **BELT** d) Nominal power **110** Amp

503. Retractable headlights

- a)

<input type="checkbox"/>	yes	<input checked="" type="checkbox"/>	no
--------------------------	-----	-------------------------------------	----

 b) Control system **N/A**

6. POWER TRAIN**601. Driven wheels**

- front

<input checked="" type="checkbox"/>	yes	<input type="checkbox"/>	no
-------------------------------------	-----	--------------------------	----

 rear

<input checked="" type="checkbox"/>	yes	<input type="checkbox"/>	no
-------------------------------------	-----	--------------------------	----

602. Clutch

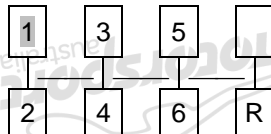
- a) Type **DIAPHRAM SINGLE PLATE**
- b) Control system **HYDRAULIC**

603. Gearbox

- a) Location **CENTRE** b) Make **SUBARU**
 c) Type and location of control **MANUAL FLOOR SHIFT**
 e) Ratios

	Number of teeth	Ratio	Constant Mesh	Synchro
1	—	3.636:1	—	—
2	—	2.235:1	—	—
3	—	1.590:1	—	—
4	—	1.137:1	—	—
5	—	0.891:1	—	—
6	—	0.707:1	—	—
R	—	3.545:1	—	—
Constant	—	—	—	—

f) Gear change gate



604. Transfer box / Centre differential

- a) Ratios **1.1:1**
 c) Control system of transfer box **DCCD ECU** d) Type of central differential **HELICAL**

605. Final drive

a) Type of final drive

	Front	Rear
a) Type of final drive	HYPLOID	HYPLOID
b) Ratio	3.9:1	3.9:1
f) Oil Cooler	<input type="checkbox"/> yes <input checked="" type="checkbox"/> no	<input type="checkbox"/> yes <input checked="" type="checkbox"/> no
g) Cooler Type	N/A	N/A

606. Shafts

- a) Type of longitudinal shafts **PROPELLER SHAFT WITH UJ/CV/UJ**
 b) Material of longitudinal shafts **STEEL**
 c) Type of transversal half-shafts **FRONT-AC &AAR, REAR – BJ & DOJ**
 d) Material of transversal half-shafts **STEEL**

7. SUSPENSION

701. General

	Front	Rear
a) Type of suspension	MACPHERSON STRUT	DOUBLE WISHBONE
702. Helical springs	<input checked="" type="checkbox"/> yes <input type="checkbox"/> no	<input checked="" type="checkbox"/> yes <input type="checkbox"/> no
a) Material	STEEL	STEEL
703. Leaf springs	<input type="checkbox"/> yes <input checked="" type="checkbox"/> no	<input type="checkbox"/> yes <input checked="" type="checkbox"/> no
a) Material	N/A	N/A
704. Torsion bars	<input type="checkbox"/> yes <input checked="" type="checkbox"/> no	<input type="checkbox"/> yes <input checked="" type="checkbox"/> no
a) Material	N/A	N/A

705. Other type of suspension

See description on additional form

706. Stabiliser

	Front	Rear
b) Effective diameter	20 mm	18.2 mm
c) Material	STEEL	STEEL

707. Suspension Dampers

	Front	Rear
a) Number per wheel	1	1
b) Type	MACPHERSON STRUT	TELESCOPIC
c) Principle of operation	GAS/HYDRAULIC	GAS/HYDRAULIC

8. WHEELS

801. Wheels

	Front	Rear
a) Diameter	18"	18"
b) Width	8.5"	8.5"
c) Offset	+55 mm	+55 mm

803. Brakes

a) Braking system **DUAL CIRCUIT HYDRAULIC**

b) Number of master cylinders **1**

c) Servo-brakes yes no

c1) Make and type **BOSCH VACUUM SUSPENDED**



	Front	Rear
e) Number of cylinders per wheel	<u>4</u>	<u>2</u>
f) Drum brakes		
f1) Internal diameter	<u>N/A</u>	<u>N/A</u>
f2) Number of linings per wheel	<u>N/A</u>	<u>N/A</u>
g) Disc brakes		
g1) Number of pads per wheel	<u>2</u>	<u>2</u>
g2) Number of calipers per wheel	<u>1</u>	<u>1</u>
g3) Caliper material	<u>ALLOY</u>	<u>ALLOY</u>
g4) Thickness of new disc	<u>30 ± 1 mm</u>	<u>20 ± 1 mm</u>
g5) External diameter of the disc	<u>326 ± 1.5 mm</u>	<u>316 ± 1.5 mm</u>
g9) Ventilated discs	<input checked="" type="checkbox"/> yes <input type="checkbox"/> no	<input checked="" type="checkbox"/> yes <input type="checkbox"/> no

h) Parking brake: h1) Control system **LEVER**

h2) Location of lever **CENTRE CONSOLE**

<input type="checkbox"/> Front	<input checked="" type="checkbox"/> Rear
--------------------------------	--

804. Steering

a) Type

Front		Rear	
RACK & PINION		<u>N/A</u>	
<input checked="" type="checkbox"/> yes	<input type="checkbox"/> no	<input type="checkbox"/> yes	<input checked="" type="checkbox"/> no
HYDRAULIC		<u>N/A</u>	

b) Servo-assistance

Type of Assistance

9. BODYWORK

901. Interior

a) Ventilation

<input checked="" type="checkbox"/> yes	<input type="checkbox"/> no
<input checked="" type="checkbox"/> yes	<input type="checkbox"/> no

c) Air Conditioning

b) Heating

<input checked="" type="checkbox"/> yes	<input type="checkbox"/> no
---	-----------------------------

f) Optional sun roof

<input type="checkbox"/> yes	<input checked="" type="checkbox"/> no
------------------------------	--

f1) Type **N/A**

f2) Control system **N/A**

g) Opening system for side windows

Front	Rear
ELECTRICAL	ELECTRICAL

X) Dashboard

Y) Sunroof



902. Exterior

a) Number of doors **4**

b) Tailgate

<input checked="" type="checkbox"/> yes	<input type="checkbox"/> no
---	-----------------------------

Front	Rear
<u>STEEL</u>	<u>STEEL</u>

c) Door material

d) Front bonnet material

STEEL

e) Rear bootlid / tailgate material

STEEL

f) Bodywork material

STEEL

h) Rear window material

GLASS

i) Rear quarter window material

GLASS

k) Side window material

Front	Rear
<u>GLASS</u>	<u>GLASS</u>
<u>PLASTIC</u>	<u>PLASTIC</u>

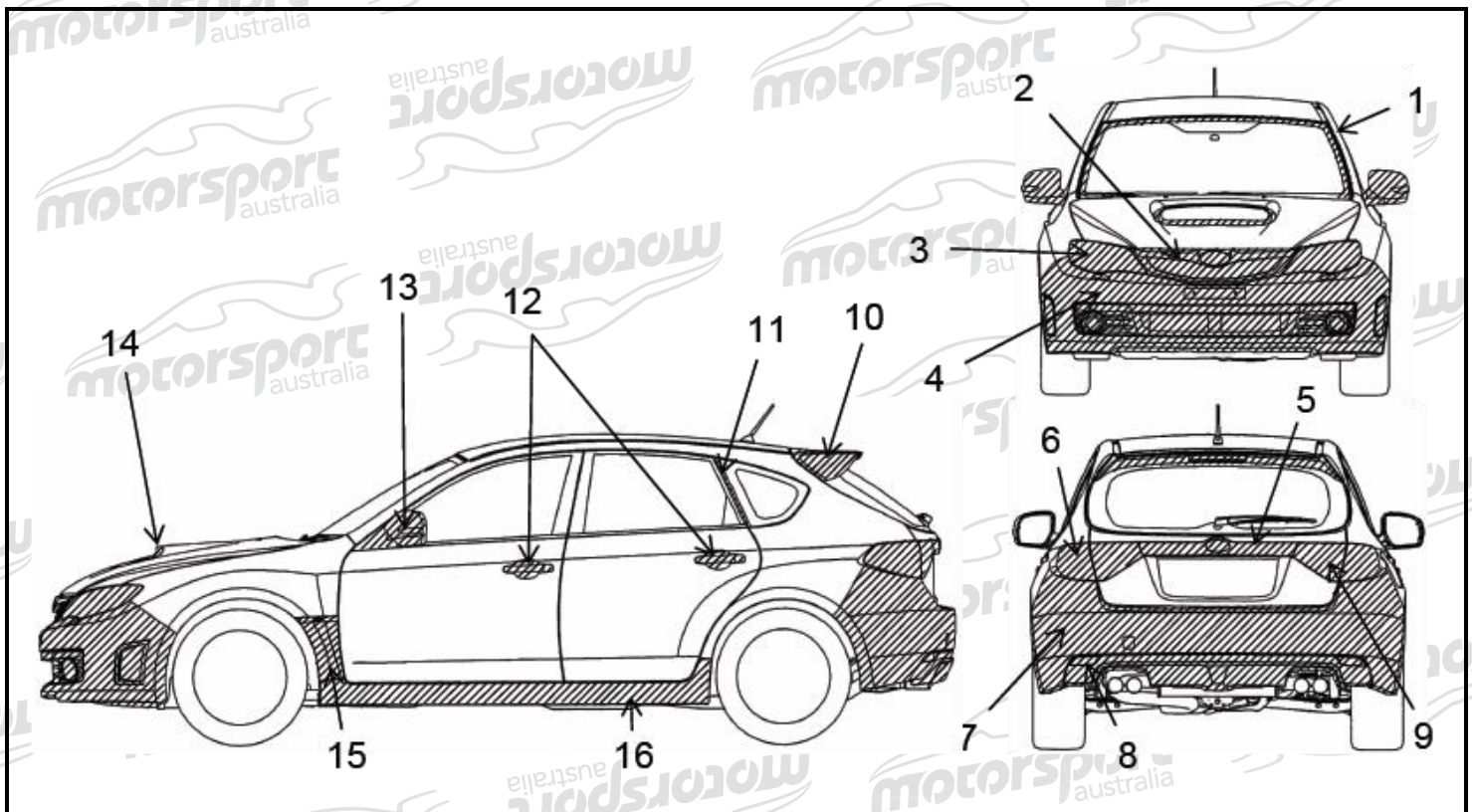
l) Material of bumper

n) Exterior Rear wiper

<input checked="" type="checkbox"/> yes	<input type="checkbox"/> no
---	-----------------------------

XIII) NON METALLIC PARTS OF THE BODY

Number	Part	Material
2	Front Grille	Plastic
4,7	Bumper Bars	Plastic
10	Roof Spoiler	Plastic
12	Door Handle	Plastic
13	Wing Mirrors	Plastic
15	Fender Garnish	Plastic
16	Side Skirts	Plastic



COMPLEMENTARY INFORMATION

