

Group 3E RECOGNITION DOCUMENT

A) Vehicle seen from 3/4 front



B) Vehicle seen from 3/4 rear



1. GENERAL

101. Manufacturer **BMW AG**
102. Commercial name(s) - Model and type **MINI (R56) JOHN COOPER WORKS**
103. Engine capacity **1598.2** cm³ Corrected engine capacity **1598.2 x 1.7 = 2716.9** cm³
104. Type of car construction
- | | | |
|---------|---|---|
| a) Type | <input type="checkbox"/> separate chassis | <input checked="" type="checkbox"/> monocoque |
|---------|---|---|
- b) Material of chassis / bodyshell **STEEL**
106. Number of seats **4**

2. DIMENSIONS, WEIGHT

- Minimum Racing Weight **1100** kg
202. Overall length **3714** mm ± 1 %
203. Maximum overall width **1683** mm ± 1 % Where measured **AT FRONT WHEELS**
204. Width of bodywork
- | | |
|------------------|----------------------|
| a) At front axle | 1683 mm ± 1 % |
| b) At rear axle | 1683 mm ± 1 % |
206. Wheelbase **2467** mm ± 1 %
207. Maximum track
- | | | | |
|----------|----------------|---------|----------------|
| a) Front | 1540 mm | b) Rear | 1490 mm |
|----------|----------------|---------|----------------|

3-13-014B

Make **BMW AG** Model **Mini (R56) John Cooper Works**

3. ENGINE (In case of rotary engine, see Art. 335 on additional form)

301. Location and position of the engine **FRONT TRANSVERSAL**

302. Number of mounts **3**

Engine in its compartment



304. Supercharging yes no

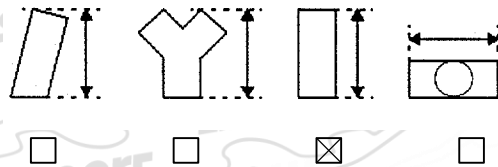
Maximum manifold pressure **1.5**

Type and number of compressors **TWINSROLL TURBOCHARGER / 1**

305. Number and layout of cylinders **4 IN LINE**

312. Cylinder block material **ALLOY**

310. Maximum compression ratio **10.5 : 1**



313. Sleeves a) yes no

b) Material **GRAY CAST IRON** wet dry

314. Bore **77** +0/- 0.1 mm

316. Stroke **85.8** +0/- 0.1 mm

321. Cylinderhead a) Number **1** b) Material **ALUMINIUM ALLOY**

324. Fuel feed by injection : a) Make **BOSCH** b) Model **MED17**

f) Position of Injectors:

f1) Manifold Cylinderhead

325. Camshaft a) Number **2** b) Location **CYLINDER HEAD**
 c) Drive system **CHAIN** f) Type of valve operation **ROLLER ROCKER ARM**

327. Intake
 a) Material of manifold **PLASTIC**
 b) Number of manifold elements **1** c) Number of valves per cylinder **2**



Make BMW AG **Model** Mini (R56) John Cooper Works

328. Exhaust

- a) Material of manifold STEEL
- b) Number of manifold elements 1
- d) Number of valves per cylinder 2
- p) External Diameter of exhaust pipe between manifold and first silencer _____ mm ± 5%

330. Ignition system

- a) Type ELECTRONIC
- b) Number of plugs per cylinder 1
- c) Number of distributors N/A
- d) Number of coils 4

331. Cooling system

Capacity 5.5 L

332. Cooling fan

- a) Number 1
- b) Diameter of the fan 350 mm
- c) Material of the fan PLASTIC
- d) Number of blades 7
- e) Type of drive ELECTRIC
- f) Automatic cut in yes no

333. Lubrication system

- a) Type WET SUMP
- b) Number of oil pumps 1
- c) Total capacity 4.2 L
- e) Location of the cooler(s) _____
- f) Type of the cooler(s) _____

4. FUEL CIRCUIT

401. Fuel tank

- b) Location UNDER THE CAR
- d) Total capacity 55 L

402. Fuel pump(s)

- a) Eleectrical Mechanical
 - b) Number 1
 - d) Location IN TANK
- Fuel Pressure _____

5. ELECTRICAL EQUIPMENT

502. Alternator

- a) Number 1
- b) Type _____
- c) Drive system BELT
- d) Nominal power _____ Amp

503. Retractable headlights

- a) yes no
- b) Control system _____

6. POWER TRAIN

601. Driven wheels

- front yes no
- rear yes no

602. Clutch

- a) Type DRY SINGLE PLATE
- b) Control system HYDRAULIC



Make BMW AG **Model** Mini (R56) John Cooper Works

603. Gearbox

a) Location **ENGINE COMPARTMENT**

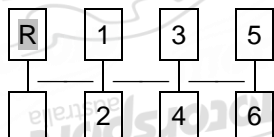
b) Make **GETRAG**

c) Type and location of control **TUNNEL**

e) Ratios

	Number of teeth	Ratio	Constant Mesh	Synchro
1	_____	<u>3.308</u>	_____	<u>Y</u>
2	_____	<u>2.130</u>	_____	<u>Y</u>
3	_____	<u>1.483</u>	_____	<u>Y</u>
4	_____	<u>1.139</u>	_____	<u>Y</u>
5	_____	<u>0.949</u>	_____	<u>Y</u>
6	_____	<u>0.816</u>	_____	<u>Y</u>
R	_____	<u>3.231</u>	_____	_____
Constant	_____	<u>3.647</u>	_____	_____

f) Gear change gate



604. Transfer box / Centre differential

a) Ratios

N/A

c) Control system of transfer box

N/A

d) Type of central differential

N/A

605. Final drive

a) Type of final drive

SPUR GEAR

N/A

b) Ratio

3.647

N/A

f) Oil Cooler

yes

no

yes

no

g) Cooler Type

N/A

606. Shafts

a) Type of longitudinal shafts

N/A

b) Material of longitudinal shafts

N/A

c) Type of transversal half-shafts

ASYM. CONTANT VELOCITY JOINTS

d) Material of transversal half-shafts

STEEL



Make **BMW AG** Model **Mini (R56) John Cooper Works**

3-13-014B

7. SUSPENSION

701. General

	Front		Rear	
a) Type of suspension	<u>MCPHERSON STRUT</u>		<u>MULTILINK</u>	
702. Helical springs	<input checked="" type="checkbox"/> yes	<input type="checkbox"/> no	<input checked="" type="checkbox"/> yes	<input type="checkbox"/> no
a) Material	_____		_____	
703. Leaf springs	<input type="checkbox"/> yes	<input checked="" type="checkbox"/> no	<input type="checkbox"/> yes	<input checked="" type="checkbox"/> no
a) Material	_____		_____	
704. Torsion bars	<input type="checkbox"/> yes	<input checked="" type="checkbox"/> no	<input type="checkbox"/> yes	<input checked="" type="checkbox"/> no
a) Material	<u>N/A</u>		<u>N/A</u>	

705. Other type of suspension

See description on additional form

706. Stabiliser

	Front	Rear
b) Effective diameter	<u>22.83</u> mm	<u>17.67</u> mm
c) Material	<u>STEEL</u>	<u>STEEL</u>

707. Suspension Dampers

	Front	Rear
a) Number per wheel	<u>1</u>	<u>1</u>
b) Type	<u>TELESCOIC</u>	<u>TELESCOPIC</u>
c) Principle of operation	<u>HYDRAULIC</u>	<u>HYDRAULIC</u>

8. WHEELS

801. Wheels

	Front	Rear
a) Diameter	<u>17"</u>	<u>17"</u>
b) Width	<u>7"</u>	<u>7"</u>
c) Offset	_____ mm	_____ mm



3-13-014B

Make BMW AG **Model** Mini (R56) John Cooper Works

803. Brakes

- a) Braking system
- b) Number of master cylinders
- c) Servo-brakes

HYDRAULIC - ABS

1

yes no

c1) Make and type **TRW**

- e) Number of cylinders per wheel
- f) Drum brakes**
- f1) Internal diameter
- f2) Number of linings per wheel
- g) Disc brakes**
- g1) Number of pads per wheel
- g2) Number of calipers per wheel
- g3) Caliper material
- g4) Thickness of new disc
- g5) External diameter of the disc
- g9) Ventilated discs

	Front	Rear
e)	<u>4</u>	<u>1</u>
f)	DRUM BRAKES	DRUM BRAKES
f1)	<u>N/A</u>	<u>N/A</u>
f2)	<u>N/A</u>	<u>N/A</u>
g)	DISC BRAKES	DISC BRAKES
g1)	<u>2</u>	<u>2</u>
g2)	<u>1</u>	<u>1</u>
g3)	<u>GRAY CAST IRON</u>	<u>GRAY CAST IRON</u>
g4)	<u>26 ± 1 mm</u>	<u>10 ± 1 mm</u>
g5)	<u>330 ± 1.5 mm</u>	<u>280 ± 1.5 mm</u>
g9)	<input checked="" type="checkbox"/> yes <input type="checkbox"/> no	<input type="checkbox"/> yes <input checked="" type="checkbox"/> no

h) Parking brake: h1) Control system **CABLE**

h2) Location of lever **BETWEEN FRONT SEATS**

Front Rear

804. Steering

- a) Type
- b) Servo-assistance
- Type of Assistance

	Front	Rear
a)	RACK & PINION	N/A
b)	<input checked="" type="checkbox"/> yes <input type="checkbox"/> no	<input type="checkbox"/> yes <input checked="" type="checkbox"/> no
Type of Assistance	JTEK/ELECTRIC	N/A

9. BODYWORK

901. Interior

- a) Ventilation
- c) Air Conditioning

yes no

yes no

b) Heating

yes no

f) Optional sun roof

yes no

f1) Type **SLIDE & RISE**

f2) Control system **SELECTRIC**

g) Opening system for side windows

	Front	Rear
g)	ELECTRIC	N/A



3-13-014B

Make BMW AG **Model** Mini (R56) John Cooper Works

X) Dashboard



Y) Sunroof



902. Exterior

a) Number of doors 2

b) Tailgate

<input checked="" type="checkbox"/> yes	<input type="checkbox"/> no
---	-----------------------------

Front	Rear
<u>STEEL</u>	<u>N/A</u>

c) Door material

d) Front bonnet material

STEEL

e) Rear bootlid / tailgate material

STEEL

f) Bodywork material

STEEL

h) Rear window material

SAFETY GLASS

i) Rear quarter window material

SAFETY GLASS

k) Side window material

Front	Rear
<u>SAFETY GLASS</u>	<u>SAFETY GLASS</u>
<u>POLYPROPYLENE</u>	<u>POLYPROPYLENE</u>

l) Material of bumper

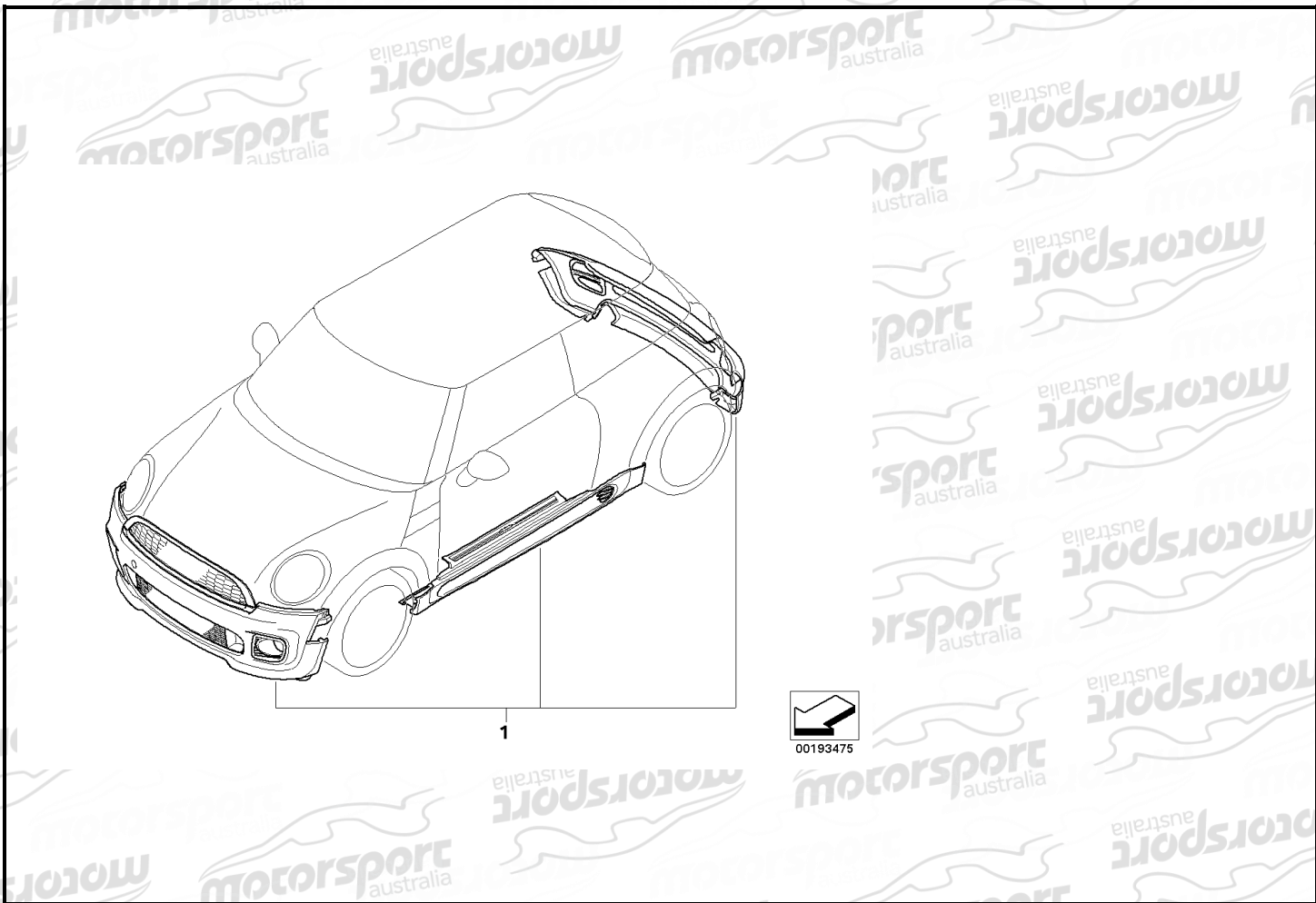
n) Exterior Rear wiper

<input type="checkbox"/> yes	<input checked="" type="checkbox"/> no
------------------------------	--



XIII) NON METALLIC PARTS OF THE BODY

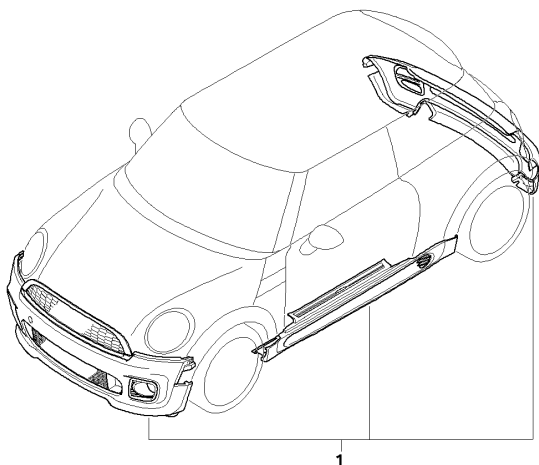
Number	Part	Material
1	Front Bumper	Plastic
2	Rear Bumper	Plastic
3	Side Skirts	Plastic



COMPLEMENTARY INFORMATION

Optional Components

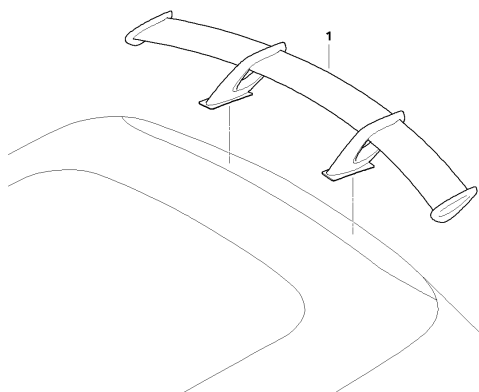
MINI R56 Coop.S JCW JCW Aerodynamic Package II



00193475

51192154643

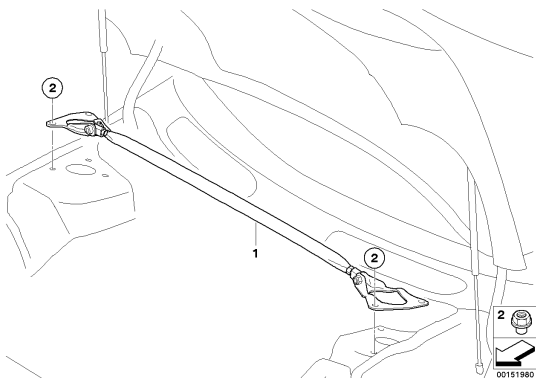
M Performance rear spoiler



00158005

51710420773

JCW Strut brace



00151980

51710442352

Make **BMW AG** Model **Mini (R56) John Cooper Works**

3-13-014B

ERRATA:

Version 3-13-014B

Changed ¼ Front and ¼ Rear photos

Changed Race weight

Added Gera ratios

Added Plastic panels

Added Options

Aerodynamic Package II

M Performance rear spoiler

JCW Strut brace

