



**Competition
Rules for
2020
Version 1**

APPK

INDEX

1 GENERAL

2 AUTHORITY

3 PROMOTER

4 VEHICLE COMPETITION CLASSES

5 SCRAWA COMPETITION REGISTRATION

6 ELIGIBILITY

8 COACHWORK

1.1 Aerodynamic aids

1.2 Body Panels

1.3 Firewall / Bulkheads

1.4 Floor Pan

2 MECHANICAL COMPONENTS

2.1 Suspension and Chassis

3 WHEELS AND TYRES

4. ELECTRICAL SYSTEM

5. MINIMUM RACING WEIGHTS

APPENDIX A

APPENDIX B

6. VEHICLE MARKINGS

Street Cars Competition Rules for 2020

MOTORSPORT AUSTRALIA Group- 3D Sports Sedans with restrictions

These rules shall govern all Street Car competitions promoted in the State of Western Australia by the "Street Car Racing Association of Western Australia Inc." hereafter known as "SCRAWA" and by authority of the Confederation of Australian Motor Sport (MOTORSPORT AUSTRALIA).

1 GENERAL

- (a) The Street Cars are a specific class of Automobile being based on the Regulations detailed in Specifications of Automobiles - Group 3D - Sports Sedans (Group 3D Regulations) as detailed in the MOTORSPORT AUSTRALIA Manual of Motor Sport with varied eligibility criteria as outlined in these Street Cars Competition Rules (Rules).
- (b) All vehicles must comply to these Rules and unless otherwise indicated in all other matters the Group 3D Regulations shall apply.
- (c) This specific class envisages a degree of modification to automobiles so as to render them more suitable for competition without modification to the external body shape except as specifically allowed for in the National Competition Rules.
- (d) Vehicles must conform with General Requirements of Automobiles (as applicable) as detailed in Schedules A,B and C of the MOTORSPORT AUSTRALIA Manual
- (e) Four wheel drive vehicles where fitted with active centre differentials as standard may be retained and if retained must remain unmodified. Electronic traction and / or brake and /or handling devices are prohibited.

2 AUTHORITY

Street Car race meetings shall be conducted under the International Sporting Code of the Federation Internationale de l'Automobile (F.I.A), the National Competition Rules (NCR) of MOTORSPORT AUSTRALIA, the Race Meeting Standing Regulations as detailed in the MOTORSPORT AUSTRALIA Manual and the relevant Supplementary Regulations and any further regulations or instructions that may be issued (see NCR 61).

3 CATEGORY ORGANISER

The organising category association of Street Car competition is known as **The Street Car Racing Association of Western Australia Inc.** (SCRAWA).

4 VEHICLE COMPETITION CLASSES

Competition classes for Street Cars are as follows:

- (a) **Outright** – All vehicles over 2060cc in engine capacity. as calculated in accordance with their Group Regulations.
- (b) **Under 2L** – All vehicles 2060cc or under in engine capacity as calculated in accordance with their Group Regulations.

5 SCRAWA COMPETITION REGISTRATION

To be eligible to score points competing in SCRAWA-series both driver and entrant must be financial members of SCRAWA.

6 ELIGIBILITY

- (a) The onus of proof of vehicle eligibility rest with the individual competitor at all times.
- (b) All Street Car competition vehicles to be eligible to compete must comply with these Rules and unless otherwise stated by these Rules, in accordance with the Group 3D Regulations.

REGULATIONS

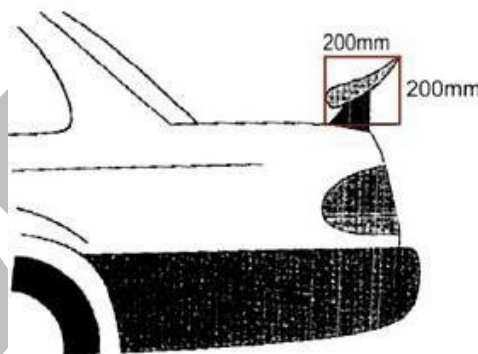
Competition is further restricted in this series with the inclusion of the following limitations which shall remain lesser than the allowed modifications permitted for 3D Sports Sedans as described in the NCR'S

COACHWORK

1.1 Aerodynamic aids

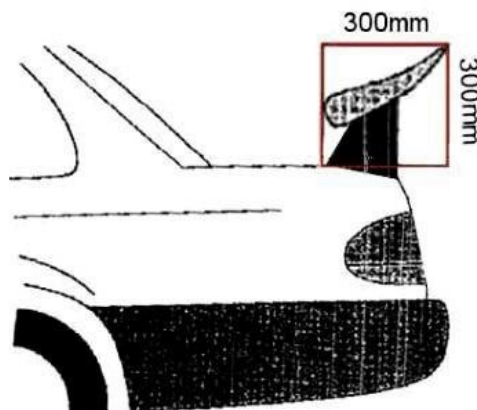
- (a) Front spoiler/airdam: Any undertrays fitted to the airdam may extend up to 100mm forward of the original coachwork at any point and shall be flat and parallel to the vehicle sills and not extend rearward beyond the leading edge of the front tyre and shall be within the vertical projections of the vehicle. It shall be regarded as part of the front airdam. Standard manufacturer factory installed undertrays are permitted and must remain unmodified.
- (b) Rear Wing (factory std); rear wing assemblies fitted as factory standard by the vehicle manufacturer are permitted but must remain unmodified.
- (c) Rear Wing (non-std) for all 4WD vehicles, Mazda RX8 & Mazda RX7 FD models; it is permitted to fit a non-standard rear wing assembly provided that it is single element and complies to the dimensions in Diagram 1 (below) for the wing element. They also must not extend further rearward than the extremity of the rear bumper.

Diagram 1



- (d) Rear Wing (non-std) for all other vehicles; it is permitted to fit a non-standard rear wing assembly provided that it is single element and complies to the dimensions in Diagram 2 (below) for the wing element. They also must not extend further rearward than the extremity of the rear bumper.

Diagram 2



- (e) The horizontal and vertical dimensions of the wings specified in c) and d) are determined by drawing a box parallel to the ground bounded by the front and rear edges of the wing element taken at its widest part and the top edge of the wing element (excluding a gurney flap of maximum height of 20mm at right angles to the trailing edge surface of the wing element) to the highest part of the bodywork below this box.
- (f) The fitment of custom or non-standard rear diffuser/undertray assemblies is not permitted. Standard manufacturer factory installed diffusers/undertrays are permitted and must remain unmodified.

1.2 Body Panels

- (a) Body panel rules as per 3D rules as applies to floorpan vehicles other than that the bonnet, boot lid, front guards and front doors must remain separate and detachable components. Except where specified they must retain their original shape and appearance.
- (b) Front doors: Must retain original function. All window regulator mechanisms may be removed.

1.3 Firewall/Bulkheads The front firewall/bulkheads must remain substantially unaltered apart from local modification to permit the fitment of alternative engine/gearbox assemblies. Any additional material is to be of the same type, composition and thickness as the original part. Any rearward protrusion is not to exceed 100mm, and must be local in nature. The moving rearward of the complete firewall/bulkhead or engine is not permitted.

1.4 Floor Pan

- (a) It is prohibited to include any vertical or near vertical vanes or other aerodynamic devices. Holes of a minimum necessary size may be made for the fitment of mechanical or suspension associated components or attachment purposes, or as otherwise provided in the 3D Regulations.
- (b) The maximum radius of the rear wheel arches or inner guards must not be increased. It is permitted to extend the metal work from the maximum radius to the existing exterior coachwork.

2 MECHANICAL COMPONENTS

For all Street Car competition vehicles to be eligible to compete installed mechanical components must comply within these Rules and unless otherwise stated by these Rules in accordance with the Group 3D Regulations-

2.1 Suspension and Chassis

- (a) The chassis and sub-frame must be as original apart from the modifications these Rules allow. Space frames are prohibited unless originally used by the vehicle manufacturer.
- (b) Rear axle assemblies must remain the same as the manufacturer type however leaf spring type may be replaced with coil over type. Mounting points are free.
- (c) Front suspension assemblies must remain the same as the manufacturer type but mounting points are free.

3. WHEELS AND TYRES

For all Street Car competition vehicles to be eligible to compete fitted wheels and tyres must comply within these Rules and unless otherwise stated by these Rules in accordance with the Group 3D Regulations. The maximum rim width and minimum tyre aspect ratio for vehicles will be as per the tables in APPENDIX A and APPENDIX B - and will be a factor in determining the minimum racing weight.

- (a) The eligible tyres for the Outright Vehicle Competition Class (Over 2060cc) is the Hankook Z221 purchased from Kosteras Garage. (AWD Vehicles can use a 45% aspect ratio tyre with a 7.5" rim as Hankook do not offer a 50% aspect ratio tyre as shown in the weight/tyre table Appendix B)
- (b) The eligible tyres for the Under 2060cc Vehicle Competition Class is as per the MOTORSPORT AUSTRALIA Production Car Tyre List – 'Schedule E' . .
- (c) The same make & compound of tyre used in qualifying must be the same as used for all races at any one event.
- (d) The tread wear indicators as provided by the tyre manufacturer will be the definitive method of determining minimum tread depth. At no stage prior to practice or racing may any tread wear indicator be exposed or in the case where the indicator is a dimple in the tyre, worn below such indicator.

4. ELECTRICAL SYSTEM

For all Street Car competition vehicles to be eligible to compete installed electrical systems must comply within these Rules and unless otherwise stated by these Rules in accordance with the Group 3D Regulations Lighting equipment must retain its original external appearance and location. The headlamps must function on at least one beam, each lamp of 35 watts minimum (incandescent power or equivalent). Headlamps may be replaced with a visually similar item. A replacement lamp may be mounted in a fixed position in the replacement headlamp body such that it can be seen from the front of the car behind fixed rigid transparent material not less than 3mm thick. Tail lamps and brake lamps must remain operable, with a minimum of three and 20 watts (incandescent power or equivalent) respectively.

- (a) On cars originally fitted with a retractable headlamp system, the outer body panel of the headlamp may be replaced by rigid transparent material not less than 3mm thick, so that a lamp may be mounted in a fixed position such that it can be seen from the front of the car. The headlamp actuating system may then be removed.

5. MINIMUM RACING WEIGHTS

- (a) The minimum racing weight for **two wheel drive vehicles** at any time including the driver and wearing all apparel will be determined by the capacity of the engine, rim width and tyre aspect ratio (Base minimum weight table) including (plus or minus where applicable) any supplementary weight (Supplementary minimum weight requirement table) as per APPENDIX A.

APPENDIX A

TWO WHEEL DRIVE VEHICLES (2WD)				
Minimum Racing Weight For each Engine Capacity (cc)	Maximum Rim Width/Minimum Tyre Aspect Ratio for race weights (kgs)			
	7.5"/50%	8.5"/40%	9.5"/35%	10.5"/30%
Up to 1600	850	900	1050	1150
1601 to 2060	900	950	1100	1200
2061 to 2500		1000	1150	1250
2501 to 3550		1050	1200	1300
3551 to 4500		1100	1250	1350
4501 to 5100		1150	1300	1400
5101 to 6000		1200	1350	1450
Supplementary minimum weight requirement (2WD vehicles only)				
Vehicles model year 1978 to 1986	Minus 50 kg			
Vehicles model year 1977 or earlier	Minus 100kg			
Mazda RX8 & Mazda RX7 FD models	Plus 100kg			
FWD (As per 3D rules)	Minus 50kg			

- (b) The minimum racing weight for **four wheel drive vehicles** at any time including the driver and wearing all apparel will be determined by the capacity of the engine, rim width and tyre aspect ratio (Base minimum weight table) as per APPENDIX B.

APPENDIX B

FOUR WHEEL DRIVE VEHICLES (4WD)				
Minimum Racing Weight For each Engine Capacity (cc)	Maximum Rim Width/Minimum Tyre Aspect Ratio for race weights (kgs)			
	7.5"/45%	8.5"/40%	9.5"/35%	10.5"/30%
Up to 2060	1050	1150	1250	1350
2061 to 2500	1125	1225	1325	1425
2501 to 3550	1150	1250	1350	1450
3551 to 4500	1200	1300	1400	1500
4501 to 5100	1250	1350	1450	1550
5101 to 6000	1300	1400	1500	1600

These weights will remain in place for the 2020 Calendar year

APPROVED

6. VEHICLE MARKINGS Each vehicle shall display the minimum weight (in whole kilograms), maximum rim width (in whole inches) and minimum tyre aspect ratio (as a percentage) as per APPENDIX A for two wheel drive vehicles and APPENDIX B for four wheel drive vehicles at all times during competition events. This number shall be known as the "Weight Number".

(a) The *Weight Number* displayed will be formatted and comprise of the following information:
MINIMUM WEIGHT – MAXIMUM RIM WIDTH – MINIMUM TYRE ASPECT RATIO

(b) The displayed *Weight Number* shall be black text on a white background. Minimum height of the text is 35mm and it shall be formed from either "Helvetica Bold", "Zurich Bold" or "Arial Bold" typestyles.

(c) The size of the displayed *Weight Number* and background shall be in accordance with diagram 4a) or Diagram 4b). The location of the *Weight Number* shall be within the highlighted area in accordance with diagram 5a) indicating placement and 5b) showing examples for signage on the left-hand side of the vehicle.

Diagram 4a)

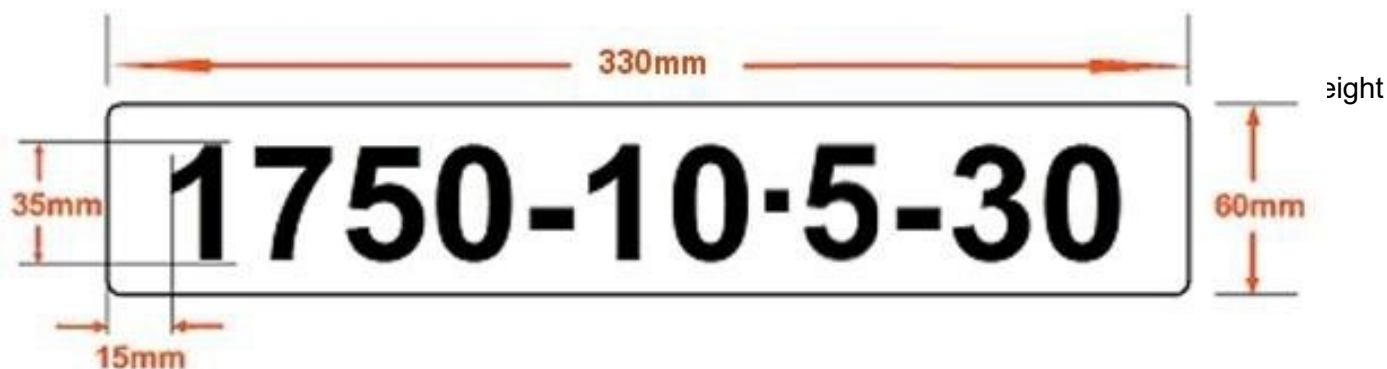


Diagram 4b)

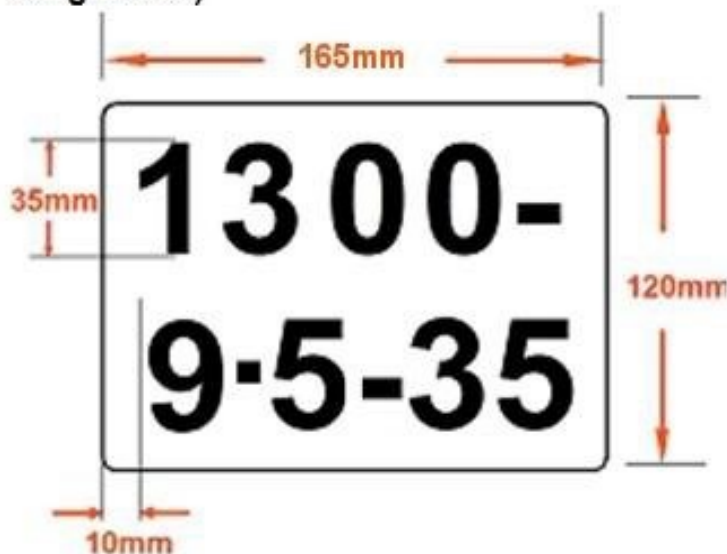
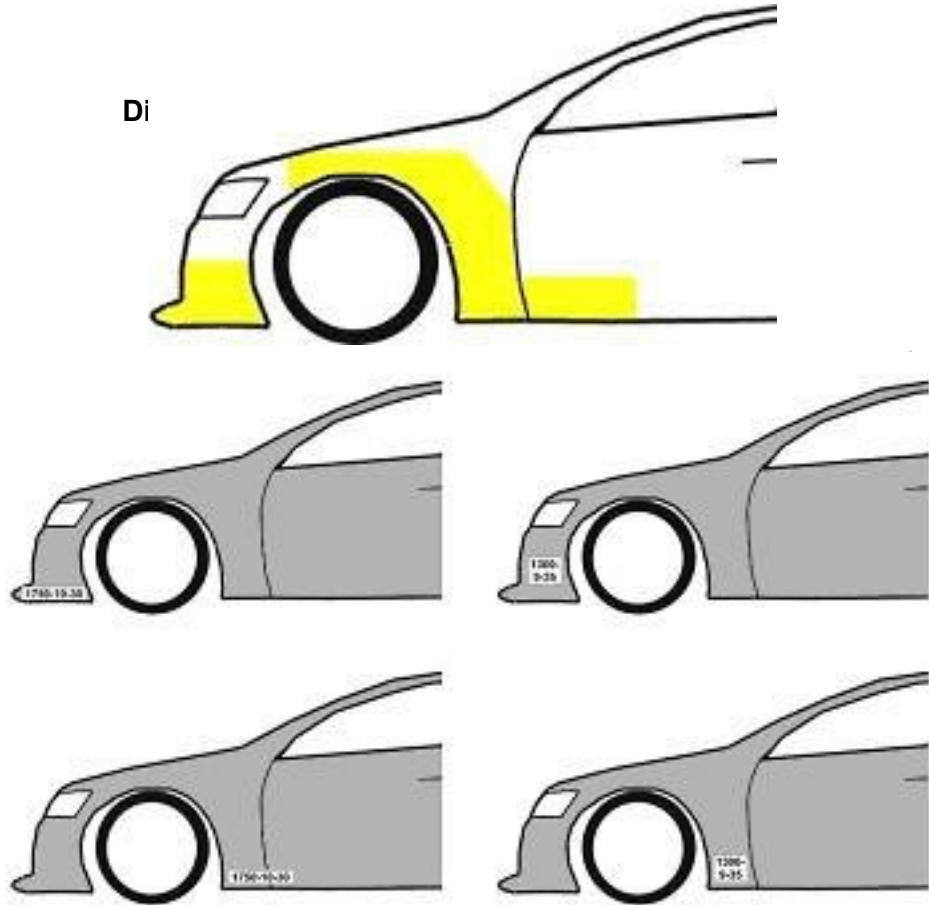


Diagram 5a) – Vehicle Markings Placement

Di



APPROVED

APPROVED