

Modified Article	Date of Application	Date of Publication
(f), (g), (h)	01/01/2025	01/01/2025

A capitalised and italicised word in this document is defined in the FIA International Sporting Code (Code) or the National Competition Rules (NCR), including their Appendices.

Any HEADING is for reference only and has no regulatory effect.

Schedule C

Each *Automobile* in a *Circuit Race* (except a Superkart) must, of necessity, in addition to the provisions of *Schedules A and B*, be fitted:

- (a) only with laminated glass in any glass windscreen. Windows, including windscreens, must not be coloured or tinted unless fitted as standard to a production *Automobile* and compliant with AS2080;
- (b) with wheels and tyres in compliance with *Schedule E*. It is not permitted to use a tyre that has been retreaded, recapped, repaired or re-conditioned in any way;
- (c) with bodywork which generally encloses (when viewed from above and each side) the chassis frame and basic mechanical elements, from the front of the *Automobile* rearwards at least as far as a transverse vertical plane immediately to the rear of the driver's seat;
- (d) with not fewer than 2 functional rear vision mirrors each of at least 50cm²;
- (e) with a fuel tank as specified in *Schedule N*;
- (f) only with such replacement seat which in a closed *Automobile* first registered with *Motorsport Australia* after 1 January 1980, and in which the relevant regulations permit the replacement of the driver's seat and which:
 - (i) incorporates a rear head restraint; and
 - (ii) does not incorporate adjustment of the rake of the squab.

NOTE: The use of a seat to a FIA Standard is recommended.

- (g) With a seat anchorage point as per the following:
 - (i) Where an *Automobile* is in compliance with the Australian Design Rules (ADR) for seat mountings, on the anchorage points for fixing seats used on the original *Automobile*; or
 - (ii) On anchorage points for fixing seats in conformity with Drawing C-1 in which case:
 - (A) All components must be steel
 - (B) For a bodyshell/chassis manufactured from steel, a cross member may be welded in place instead of fixing by bolts, providing the connection is fully welded around the circumference.

or
 - (iii) Directly onto the body shell/chassis according to Drawing C-2, in which case:
 - (A) The minimum thickness of each counter plate is 3mm for steel and 5mm for light alloy material.
 - (B) The minimum area of contact between support, shell/chassis and counter plate is 40 cm² for each mounting point.

and
- (h) With a seat support/bracket as per the following:
 - (i) A seat support must be attached to the bodyshell/chassis using at least 4 mounting points per seat using 8.8 grade bolts.

- (ii) [The minimum thickness of each support/bracket must be 3mm for steel and 5mm for light alloy material.](#)

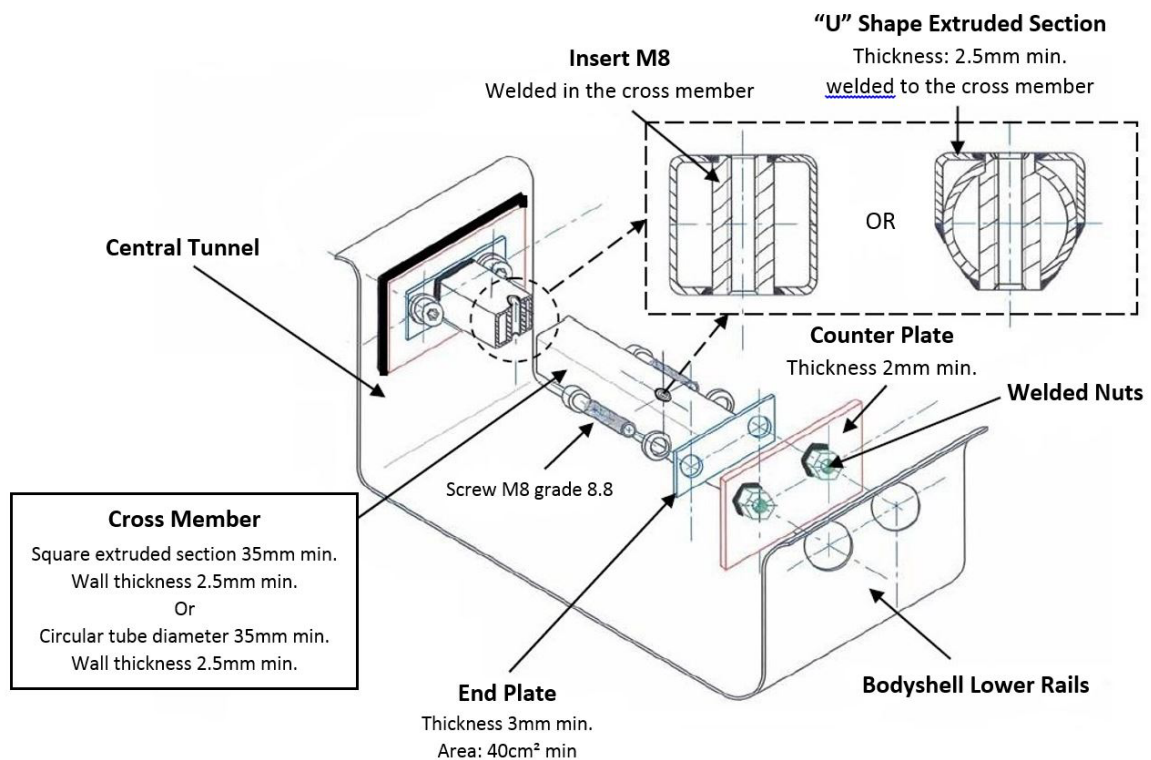
NOTE: [Where a seat to FIA 8862-2009 or FIA 8855-2021 standard is required, the seat must be used with the seat support/bracket bearing the same FIA homologation number or alternatively a seat support/bracket has been homologated by Motorsport Australia may be used.](#)

- (i) with a window net as required by *Schedule I*.

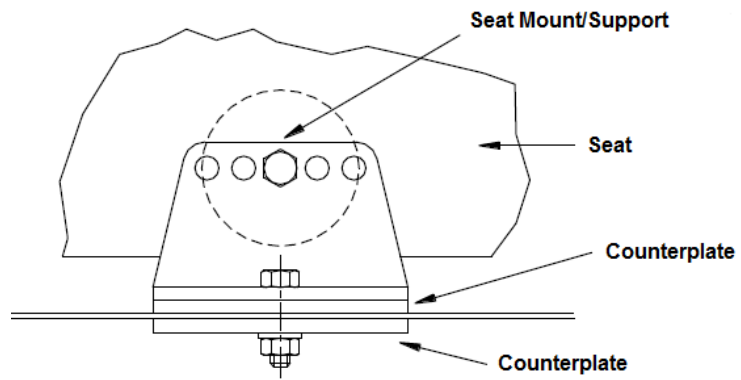
Each Automobile in a Circuit Race (except a Superkart) must, of necessity, also be required to comply with the following:

- (j) On each *Automobile*, other than those of the 5th Category, fitted with an electric fuel pump, the pump power supply must cut off in a maximum of six seconds after the engine stops;
- (k) Each *Automobile* of the 2nd and 3rd Category must be equipped with a battery isolation (master) switch which isolates the battery and stops the engine, and:
 - (i) it must be capable of being operated by the driver in his normal seated position;
 - (ii) there must be a second switch, or a remote means of operating the main switch, from the vicinity of the base of the A pillar on the driver's side or, for an *Automobile* with no A pillar, in a comparable position; and
 - (iii) each external device must be clearly marked by a symbol showing a red spark in a white-edged blue triangle of minimum edge length 150mm;
- (l) For a non-road-registered series production *Automobile* any cable-operated bonnet or engine cover release mechanism must be disabled and replaced with at least two fastening systems in accordance with *Schedule B*;
- (m) Each *Automobile* be fitted with a rearward facing red warning lamp (rain light) which must be clearly visible from the rear and mounted not more than 100mm from the centreline of the *Automobile*. Each lamp must:
 - (i) be of at least 15 watts or an LED lamp with *FIA* and/or *Motorsport Australia* approval may be used and may strobe;
 - (ii) have a minimum surface area of 20cm² and a maximum surface area of 140cm²; and
 - (iii) be able to be switched on by the driver when normally seated in the *Automobile*.

DRAWING C-1



DRAWING C-2



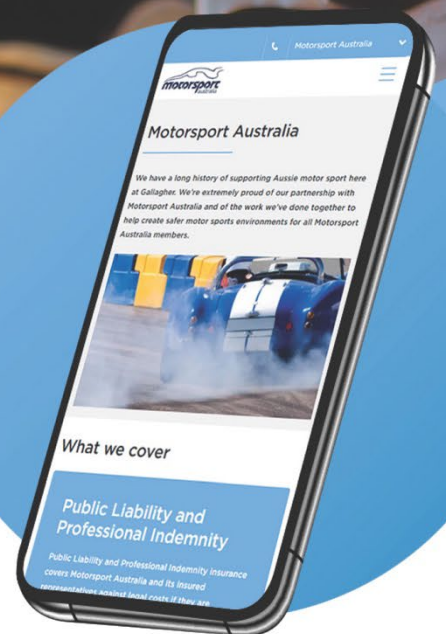
Confidence no matter what's around
the bend with your community
insurance broker and consultant

Introducing Gallagher's Motorsport Australia Insurance Hub

Your pit stop for all your insurance needs. From obtaining a certificate of currency to lodging a claim, the Gallagher Motorsport Australia Insurance hub gives you access to all the information you need so that you can face what's around the bend with confidence.

Visit now:
sport.ajg.com.au/motorsport-australia

Arthur J. Gallagher & Co (Aus) Limited. AFSL 238812. Cover is subject to the Policy terms and conditions. You should consider if the insurance is suitable for you and read the PDS and FSG before making a decision to acquire insurance. These are available at www.ajg.com.au. REF2782-1120-1.1



Gallagher

Insurance | Risk Management | Consulting