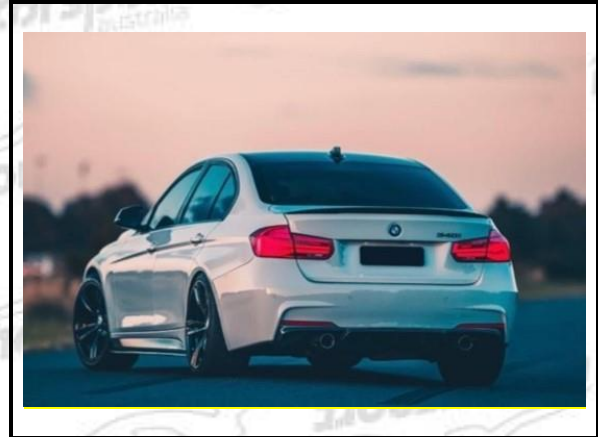


Group 3E Recognition FORM

A) Vehicle seen from 3/4 front

B) Vehicle seen from 3/4 rear



1. GENERAL

101. Manufacturer

BMW

102. Commercial name(s) - Model and type

M340i

103. Engine capacity

2998 cm³

Corrected engine capacity

2998 x **1.7** = **5096** cm³

104. Type of car construction

a) Type

separate chassis

monocoque

b) Material of chassis / bodyshell

STEEL

106. Number of seats

5

2. DIMENSIONS, WEIGHT

Tare Weight

1492 kg

RVD CPA Number. **43795-1168306**

Minimum Racing Weight

1502 kg

202. Overall length

4633 mm ± 1 %

203. Maximum overall width

1811 mm ± 1 % Where measured **BODY**

204. Width of bodywork

a) At front axle

1772 mm ± 1 %

b) At rear axle

1775 mm ± 1 %

206. Wheelbase **2810** mm ± 1 %

3-24-008A

Make BMW

Model M340i F30

207. Maximum track

a) Front 1533 mm

b) Rear 1552 mm

3. ENGINE (In case of rotary engine, see Art. 335 on additional form)

301. Location and position of the engine FRONT

302. Number of mounts 2

Engine in its compartment



304. Supercharging

<input checked="" type="checkbox"/> yes	<input type="checkbox"/> no
---	-----------------------------

Maximum manifold pressure

N/A

Type and number of compressors

1

305. Number and layout of cylinders

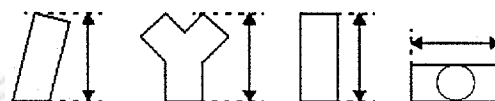
6 INLINE

312. Cylinder block material

ALLOY

310. Maximum compression ratio

11.0 : 1



X

313. Sleeves

a)

<input type="checkbox"/> yes	<input checked="" type="checkbox"/> no
------------------------------	--

b) Material LDS COATING

c)

<input type="checkbox"/> wet	<input type="checkbox"/> dry
------------------------------	------------------------------

314. Bore

82 +0/- 0.1 mm

316. Stroke

94.6 +0/- 0.1 mm

321. Cylinderhead

a) Number 1

b) Material ALLOY

324. Fuel feed by injection : a) Make BMW

b) Model HIGH PRESSURE

f) Position of Injectors:

f1)

<input type="checkbox"/> Manifold	<input checked="" type="checkbox"/> Cylinderhead
-----------------------------------	--

325. Camshaft a) Number

2

b) Location

DOHC

Make **BMW**

Model M340i F30

c) Drive system

CHAIN

f) Type of valve operation

HYDRAULIC**327. Intake**

a) Material of manifold

PLASTIC

b) Number of manifold elements

1

c) Number of valves per cylinder

2**328. Exhaust**

a) Material of manifold

STEEL

b) Number of manifold elements

2

d) Number of valves per cylinder

2p) External Diameter of exhaust pipe between manifold and first silencer **80** mm ± 5%**330. Ignition system**

a) Type

COMPUTER

b) Number of plugs per cylinder

1

c) Number of distributors

N/A

d) Number of coils

6**331. Cooling system**Capacity **7.8** L**332. Cooling fan**

a) Number

1

b) Diameter of the fan

490 mm

c) Material of the fan

PLASTIC

d) Number of blades

9

e) Type of drive

ELECTRIC

f) Automatic cut in



yes



no

333. Lubrication system

a) Type

BMW

b) Number of oil pumps

1

c) Total capacity

6.5 L

e) Location of the cooler(s)

FRONT

f) Type of the cooler(s)

AIR**4. FUEL CIRCUIT****401. Fuel tank**

b) Location

CENTRE

d) Total capacity

60 L**402. Fuel pump(s)**

a)



Electrical



Mechanical

b) Number

1

d) Location

TANK

Fuel Pressure

100 BAR**5. ELECTRICAL EQUIPMENT****502. Alternator**

a) Number

1

b) Type

DENSO

c) Drive system

BELT

d) Nominal power

180 Amp**503. Retractable headlights**

a)



yes



no

b) Control system

Make BMW

Model M340i F30

6. POWER TRAIN

601. Driven wheels front yes no rear yes no

602. Clutch
 a) Type N/A
 b) Control system N/A

603. Gearbox
 a) Location CENTRE b) Make BMW
 c) Type and location of control ZF AUTOMATIC
 e) Ratios

	Number of teeth	Ratio	Constant Mesh	Synchro
1	_____	<u>5.0</u>	_____	_____
2	_____	<u>3.2</u>	_____	_____
3	_____	<u>2.143</u>	_____	_____
4	_____	<u>1.72</u>	_____	_____
5	_____	<u>1.314</u>	_____	_____
6	_____	<u>1.0</u>	_____	_____
7	_____	<u>0.822</u>	_____	_____
8	_____	<u>0.64</u>	_____	_____
R	_____	<u>3.456</u>	_____	_____
Constant	_____	_____	_____	_____



604. Transfer box / Centre differential
 a) Ratios N/A
 c) Control system of transfer box N/A d) Type of central differential N/A

605. Final drive

	Front	Rear
a) Type of final drive	<u>N/A</u>	<u> LSD </u>
b) Ratio	<u>N/A</u>	<u> 2.81 </u>



3-24-008A

Make BMW

Model M340i F30

f) Oil Cooler

<input type="checkbox"/> yes	<input type="checkbox"/> no	<input type="checkbox"/> yes	<input checked="" type="checkbox"/> no
------------------------------	-----------------------------	------------------------------	--

g) Cooler Type

_____	_____
-------	-------

606. Shafts a)

Type of longitudinal shafts

BMW

b)

Material of longitudinal shafts

STEEL

c)

Type of transversal half-shafts

BMW

d)

Material of transversal half-shafts

STEEL

7. SUSPENSION

701. General

Front	Rear
-------	------

a) Type of suspension

<u>INDEPENDANT</u>	<u>INDEPENDANT</u>
--------------------	--------------------

702. Helical springs

<input checked="" type="checkbox"/> yes	<input type="checkbox"/> no	<input checked="" type="checkbox"/> yes	<input type="checkbox"/> no
---	-----------------------------	---	-----------------------------

a) Material

<u>STEEL</u>	<u>STEEL</u>
--------------	--------------

703. Leaf springs

<input type="checkbox"/> yes	<input checked="" type="checkbox"/> no	<input type="checkbox"/> yes	<input checked="" type="checkbox"/> no
------------------------------	--	------------------------------	--

a) Material

_____	_____
-------	-------

704. Torsion bars

<input type="checkbox"/> yes	<input checked="" type="checkbox"/> no	<input type="checkbox"/> yes	<input checked="" type="checkbox"/> no
------------------------------	--	------------------------------	--

a) Material

_____	_____
-------	-------

705. Other type of suspension

See description on additional form

706. Stabiliser

Front	Rear
-------	------

b) Effective diameter

<u>25</u> mm	<u>15</u> mm
--------------	--------------

c) Material

<u>STEEL</u>	<u>STEEL</u>
--------------	--------------

707. Suspension Dampers

Front	Rear
-------	------

a) Number per wheel

<u>1</u>	<u>1</u>
----------	----------

b) Type

<u>MCPHERSON STRUT</u>	<u>GAS DAMPER</u>
------------------------	-------------------

c) Principle of operation

<u>FLUID</u>	<u>FLUID</u>
--------------	--------------



3-24-008A

Make BMW

Model M340i F30

8. WHEELS

801. Wheels

a) Diameter

Front	Rear
18"	18"

b) Width

8.0"	8.5"
-------------	-------------

c) Offset

+34 mm	+47 mm
---------------	---------------

803. Brakes

a) Braking system

HYDRAULIC

b) Number of master cylinders

1

c) Servo-brakes

yes no

c1) Make and type

BMW

	Front	Rear
e) Number of cylinders per wheel	4	2
f) Drum brakes		
f1) Internal diameter	_____	_____
f2) Number of linings per wheel	_____	_____
g) Disc brakes		
g1) Number of pads per wheel	2	2
g2) Number of calipers per wheel	1	1
g3) Caliper material	ALLOY	ALLOY
g4) Thickness of new disc	30 ± 1 mm	24 ± 1 mm
g5) External diameter of the disc	370 ± 1.5 mm	345 ± 1.5 mm
g9) Ventilated discs	<input checked="" type="checkbox"/> yes <input type="checkbox"/> no	<input checked="" type="checkbox"/> yes <input type="checkbox"/> no

h) Parking brake: h1) Control system

MANUAL

h2) Location of lever

CENTRE

h3) On which wheels

Front Rear

Effet sur roues

804. Steering

a) Type

Front	Rear
BMW	N/A
<input checked="" type="checkbox"/> yes <input type="checkbox"/> no	<input type="checkbox"/> yes <input type="checkbox"/> no
ELECTRIC	_____

b) Servo-assistance

Type of Assistance

9. BODYWORK

901. Interior

a) Ventilation

yes no

c) Air Conditioning

yes no

b) Heating

yes no

f) Optional sun roof

yes no

3-24-008A

Make BMW

Model M340i F30

f1) Type N/A

f2) Control system _____

Front	Rear
<u>ELECTRIC</u>	<u>ELECTRIC</u>

g) Opening system for side windows

X) Dashboard



Y) Sunroof



902. Exterior

a) Number of doors 4

b) Tailgate yes no

c) Door material

Front	Rear
<u>STEEL</u>	<u>STEEL</u>

d) Front bonnet material **METAL**

e) Rear bootlid / tailgate material **METAL**

f) Bodywork material **METAL**

h) Rear window material **GLASS**

i) Rear quarter window material **GLASS**

Make **BMW**

Model M340i F30

3-24-008A

k) Side window material

l) Material of bumper

n) Exterior Rear wiper

Front	Rear
<u>GLASS</u>	<u>GLASS</u>
<u>PLASTIC</u>	<u>PLASTIC</u>
<input type="checkbox"/> yes	<input checked="" type="checkbox"/> no

XIII) NON METALLIC PARTS OF THE BODY

Number	Part	Material
1	FRONT BUMPER	PLASTIC
1	REAR BUMPER	PLASTIC
1	REAR SPOILER	CARBON/PLASTIC
1	REAR DIFFUSER	PLASTIC
1	FRONT AERO PACKAGE	PLASTIC
2	RADIATOR GRILLS	PLASTIC
2	MIRROR SHROUDS	PLASTIC
2	ROCKER PANELS	PLASTIC

Make **BMW**

Model M340i F30

3-24-008A

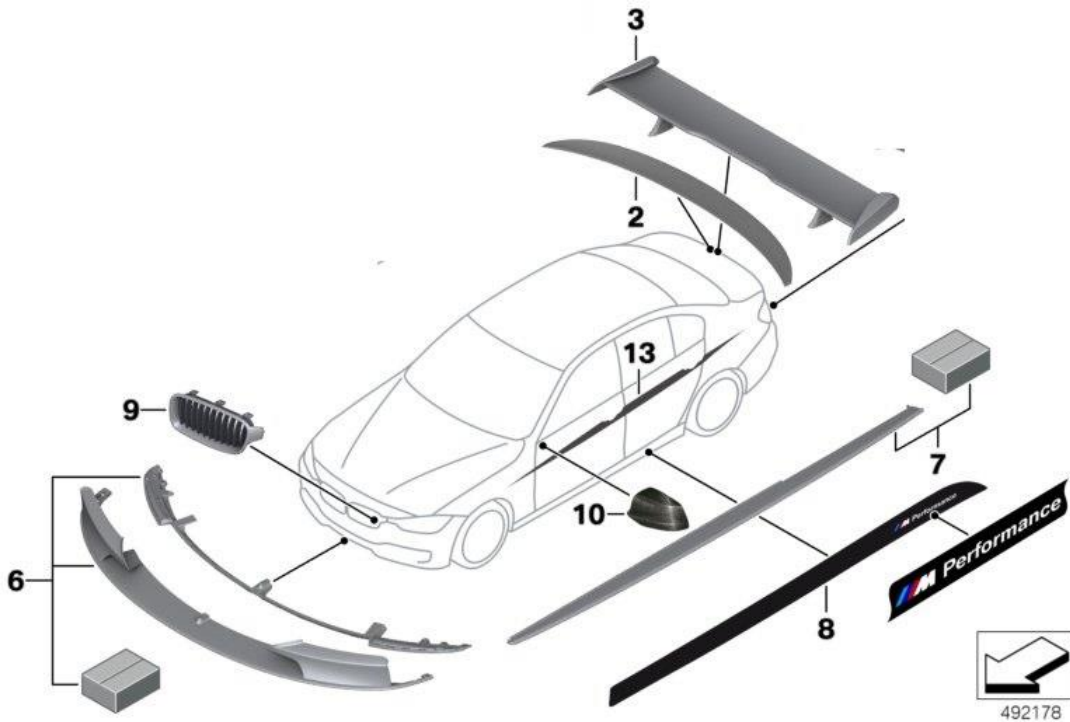
See images in the Complementary Information

Make **BMW**

Model M340i F30

COMPLEMENTARY INFORMATION

1.M Performance Accessories



- 2. Rear Spoiler 51712240832 (not applicable if Rear Wing is fitted)
- 3. Rear Wing 51192409319 (not applicable if Rear Spoiler is fitted)
- 6. Front Splitter 51192291364
- 7. Rocker Panel Cover – Right 51192291404, Left 51192291407